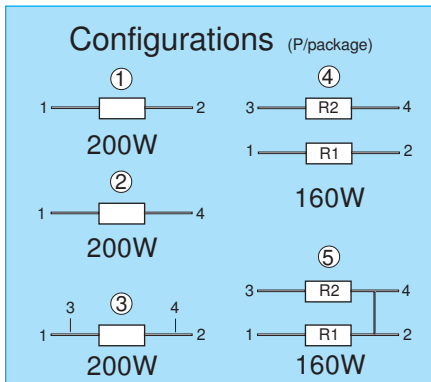
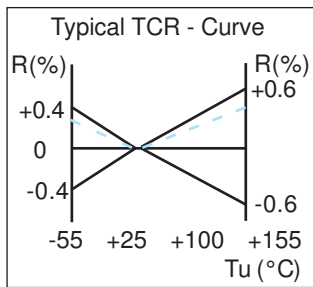


## Series HXP 200, SOT 227 200 Watt Power Resistor in the "ISOTOP" Power Device

Due to a non inductive design these elements are ideally suited for high frequency and pulse load applications. By direct mounting on a heatsink significant cost advantages can be realized. The type HXP can be supplied in a 2-terminal or 4-terminal version. Even double resistors are available. Main applications are: Variable speed Drives, Power Supplies, Control Devices, Telecom, Robotics, Motor Controls and other switching designs.

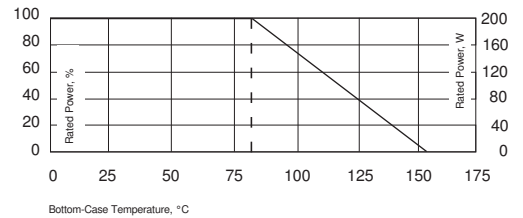
Specials and custom designed components on request.



Version 5: ohmic value between contact 2 and 4 = 3mΩ

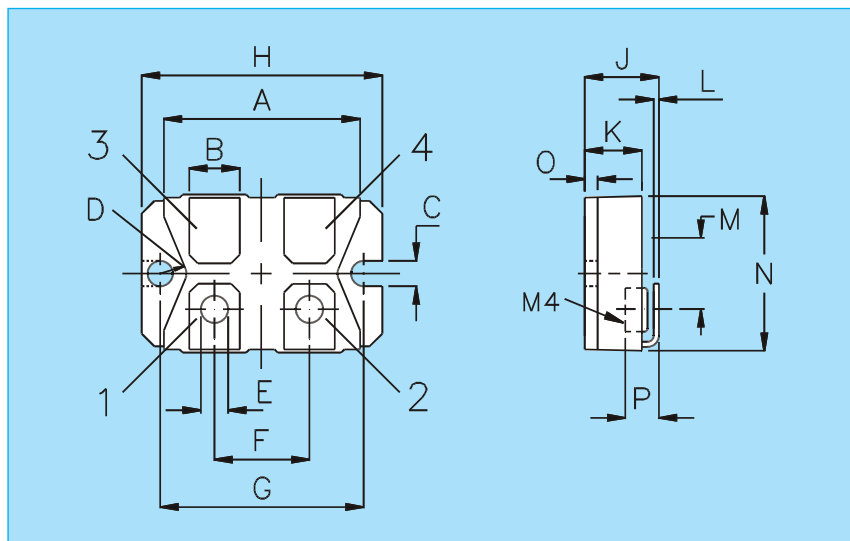
### Specifications

- Resistance Range: 0.1Ω to 1MΩ
- Tolerance: ±1%, 2%, 5%, 10%
- Temperature coefficient: ±50, ±100ppm, ±250ppm (at +105°C ref. to +25°C)
- Max. Work.Voltage: 500V (up to 1,000V on special request)
- Power Rating at 85°C: 200W (see derating)
- Partial Discharge: up to 2,000Vrms/80 pC
- Voltage Proof: Dielectric Strength up to 4,000V DC against ground
- Protectionclass: acc. to IEC 950/CSA22.2 950/ M-89 and EN 60950.88: 2
- Heat Resistance to Cooling Plate:  $R_{th} < 0.35$  K/W
- Capacitance/Mass: 45pF
- Working Temp. Range: -55°C to +155°C
- Max. Torque for Base Plate (static): 1.5 Nm M4 screws
- Max. Torque for Contacts (static): 1.3 Nm. M4 screws
- For pulse power details, please see page 27 (datasheet UXP-300)!



Derating (thermal resistance): 2.86W/°K (0.35°K/W).

Best results can be reached by using a thermal transfer compound with a heat conductivity of better than 1W/mK



Dim.	Millimeters		Inches	
	Min.	Max.	Min.	Max.
A	31.0	31.7	1.220	1.249
B	7.8	8.2	0.307	0.323
C	4.1	4.3	0.162	0.169
D	4.0	--	0.158	--
E	4.1	4.3	0.162	0.169
F	14.9	15.1	0.587	0.595
G	30.1	30.3	1.186	1.193
H	38.0	38.2	1.497	1.505
J	11.8	12.2	0.465	0.481
K	8.9	9.1	0.351	0.359
L	0.75	0.85	0.030	0.033
M	12.6	12.8	0.496	0.504
N	24.4	25.4	0.960	1.001
O	1.95	2.05	0.077	0.081
P	5.3	--	0.209	--

In the above spec sheet, you will find our standard product, please contact your local manufacturing representative or call us direct to find out details of other options available regarding this style.